

# Keysight Technologies


## 6650A Series Single-Output, 500 W DC Power Supplies, GPIB

### Speed and accuracy for test optimization

- Fast, low-noise outputs
- Analog control of output voltage and current
- Fan-speed control to minimize acoustic noise
- Built-in measurements and advanced programmable features
- Protection features to ensure DUT safety

Data Sheet





This series of 500 W linear-regulated DC power supplies is designed to maximize the throughput of DUTs through the manufacturing test process with fast up and down programming time.

Valuable assemblies can be destroyed by a minor component failure that causes a surge of current to flow into the DUT. Fast protection features, including fast crowbar, mode crossover protection, and the ability to connect the protection circuitry of multiple power supplies can increase production yield.

Programming of the DC output and the protection features can be done either from the front panel or using industry standard SCPI commands, via the GPIB. Using the serial link, up to 16 power supplies can be connected through one GPIB address. Test system integration can be further simplified by using the VXIplug&play drivers. The output voltage and current can also be controlled with analog signals. This is helpful for certain types of noisy environments, and also immediate reactions to process changes.

Lab bench use is enhanced by the fan speed control, which helps to minimize acoustic noise.

## Specifications

<b>Specifications</b> (at 0 ° to 55 ° unless otherwise specified)	<b>6651A</b>	<b>6652A</b>	<b>6653A</b>	<b>6654A</b>	<b>6655A</b>	<b>6651A-J05 Special Order Option</b>	
<b>Number of outputs</b>	1	1	1	1	1	1	
<b>GPIB</b>	Yes	Yes	Yes	Yes	Yes	Yes	
<b>Output ratings</b>							
Output voltage	0 to 8 V	0 to 20 V	0 to 35 V	0 to 60 V	0 to 120 V	10 V	
Output current (40 °C)	0 to 50 A	0 to 25 A	0 to 15 A	0 to 9 A	0 to 4 A	50 A	
Maximum current (50 °C/55 °C)	45 A/42.5 A	22.5 A/21.3 A	13.5 A/12.8 A	8.1 A/7.7 A	3.6 A/3.4 A	45 A/42.5 A	
<b>Programming accuracy</b> (at 25 °C ± 5 °C)							
Voltage	0.06% +	5 mV	10 mV	15 mV	26 mV	51 mV	6 mV
Current	0.15% +	60 mA	25 mA	13 mA	8 mA	4 mA	60 mA
<b>Ripple and noise</b> from 20 Hz to 20 MHz							
Voltage	rms	300 µV	300 µV	400 µV	500 µV	700 µV	300 µV
	peak-to-peak	3 mV	3 mV	4 mV	5 mV	7 mV	3 mV
Current	rms	25 mA	10 mA	5 mA	3 mA	2 mA	25 mA
<b>Readback accuracy</b> at 25 °C ± 5 °C (percent of reading plus fixed)							
Voltage	0.07% +	6 mV	15 mV	25 mV	40 mV	80 mV	7.5 mV
+Current	0.15% +	67 mA	26 mA	15 mA	7 mA	3 mA	67 mA
–Current	0.35% +	100 mA	44 mA	24 mA	15 mA	7 mA	100 mA
<b>Load regulation</b>							
Voltage		1 mV	2 mV	3 mV	4 mV	5 mV	1 mV
Current		2 mA	1 mA	0.5 mA	0.5 mA	0.5 mA	2 mA
<b>Line regulation</b>							
Voltage		0.5 mV	0.5 mV	1 mV	1 mV	2 mV	0.5 mV
Current		2 mA	1 mA	0.75 mA	0.5 mA	0.5 mA	2 mA
<b>Transient response time</b>	Less than 100 µs for the output voltage to recover to its previous level (within 0.1% of the voltage rating of the supply or 20 mV, whichever is greater) following any step change in load current of up to 50% of the output current rating of the supply						

<b>Supplemental Characteristics</b> (Non-warranted characteristics determined by design and useful in applying the product)	<b>6651A</b>	<b>6652A</b>	<b>6653A</b>	<b>6654A</b>	<b>6655A</b>	<b>6651A-J05 Special order option</b>
<b>Average programming resolution</b>						
Voltage	2 mV	5 mV	10 mV	15 mV	30 mV	2.5 mV
Current	15 mA	7 mA	4 mA	2.5 mA	1.25 mA	15 mA
OVP	12 mV	30 mV	54 mV	93 mV	190 mV	16 mV
<b>OVP accuracy</b>	160 mV	400 mV	700 mV	1.2 V	2.4 V	200 mV

## Specifications, continued

<b>Specifications</b> (at 0 ° to 55 ° unless otherwise specified)	<b>6651A-J03</b> Special order option	<b>6651A-J09</b> Special order option	<b>6652A-J03</b> Special order option	<b>6653A-J04</b> Special order option	<b>6653A-J17</b> Special order option
<b>Number of outputs</b>	1	1	1	1	1
<b>GPIB</b>	Yes	Yes	Yes	Yes	Yes
<b>Output ratings</b>					
Output voltage	6 V	17 V/20 V	27 V	40 V	30 V
Output current (40 °C)	60 A	30 A/15 A	18.5 A	12.5 A	17.5 A
Maximum current (50 °C/55 °C)	54 A/51 A	27 A/25.5 A 13.5 A/12.75 A	16.65 A/15.72 A	11.25 A/10.6 A	15.75 A/14.87 A
<b>Programming accuracy</b> (at 25 °C ± 5 °C)					
Voltage	0.06% +	5 mV	10 mV	13.5 mV	17.5 mV
Current	0.15% +	75 mA	36 mA	25 mA	13 mA
<b>Ripple and noise</b> from 20 Hz to 20 MHz					
Voltage	rms	300 µV	300 µV	450 µV	1.6 mV
	peak-to-peak	3 mV	4 mV	4.5 mV	5 mV
Current	rms	30 mA	13 mA	10 mA	5 mA
<b>Readback accuracy</b> at 25 °C ± 5 °C (percent of reading plus fixed)					
Voltage	0.07% +	6 mV	15 mV	20.5 mV	30 mV
+Current	0.15% +	80 mA	40 mA	26 mA	15 mA
-Current	0.35% +	150 mA	55 mA	44 mA	24 mA
<b>Load regulation</b>					
Voltage		1 mV	2 mV	2 mV	3.5 mV
Current		6.5 mA	2 mA	1 mA	1 mA
<b>Line regulation</b>					
Voltage		0.5 mV	0.5 mV	0.5 mV	1 mV
Current		2 mA	2 mA	2 mA	0.75 mA
<b>Transient response time</b>	Less than 100 µs for the output voltage to recover to its previous level (within 0.1% of the voltage rating of the supply or 20 mV, whichever is greater) following any step change in load current of up to 50% of the output current rating of the supply				
<b>Supplemental Characteristics</b> (Non-warranted characteristics determined by design and useful in applying the product)	<b>6651A-J03</b> Special order option	<b>6651A-J09</b> Special order option	<b>6652A-J03</b> Special order option	<b>6653A-J04</b> Special order option	<b>6653A-J17</b> Special order option
<b>Average programming resolution</b>					
Voltage	2 mV	5 mV	6.75 mV	12 mV	10 mV
Current	18 mA	9 mA	7 mA	4 mA	5 mA
OVP	12 mV	30 mV	30 mV	65 mV	54 mV
<b>OVP accuracy</b>	160 mV	500 mV	400 mV	750 mV	700 mV

## Specifications, continued

<b>Specifications</b> (at 0 ° to 55 ° unless otherwise specified)	<b>6654A-J04</b> Special order option	<b>6654A-J05</b> Special order option	<b>6654A-J12</b> Special order option	<b>6655A-J05</b> Special order option	Special order option
<b>Number of outputs</b>	1	1	1	1	1
<b>GPIB</b>	Yes	Yes	Yes	Yes	Yes
<b>Output ratings</b>					
Output voltage	70 V	50 V	80 V	150 V	156 V
Output current (40 °C)	7.5 V	10 A	6 A	3.2 A	3 A
Maximum current (50 °C/55 °C)	6.75 A/6.37 A	9 A/8.5 A	5.4 A/5.1 A	2.88 A/2.72 A	2.7 A/2.55 A
<b>Programming accuracy</b> (at 25 °C ± 5 °C)					
Voltage	0.06% + 30 mV	26 mV	35 mV	64 mV	71 mV
Current	0.15% + 7 mA	9 mA	7 mA	3.5 mA	4 mA
<b>Ripple and noise</b> from 20 Hz to 20 MHz					
Voltage	rms 600 µV	500 µV	700 µV	800 µV	900 µV
	peak-to-peak 6 mV	5 mV	7 mV	8 mV	8 mV
Current	rms 5 mA	4 mA	3 mA	2 mA	3 mA
<b>Readback accuracy</b> at 25 °C ± 5 °C (percent of reading plus fixed)					
Voltage	0.07% + 50 mV	40 mV	58 mV	100 mV	110 mV
+Current	0.15% + 6 mA	8 mA	6 mA	2.5 mA	3 mA
–Current	0.35% + 13 mA	17 mA	16 mA	6.5 mA	7.5 mA
<b>Load regulation</b>					
Voltage	4 mV	4 mV	4 mV	6 mV	7 mV
Current	0.5 mA	0.5 mA	0.5 mA	0.5 mA	1 mA
<b>Line regulation</b>					
Voltage	1 mV	1 mV	4.5 mV	2 mV	2 mV
Current	0.5 mA	0.5 mA	0.5 mA	0.5 mA	1 mA
<b>Transient response time</b>	Less than 100 µs for the output voltage to recover to its previous level (within 0.1% of the voltage rating of the supply or 20 mV, whichever is greater) following any step change in load current of up to 50% of the output current rating of the supply				
<b>Supplemental Characteristics</b> (Non-warranted characteristics determined by design and useful in applying the product)	<b>6654A-J04</b> Special order option	<b>6654A-J05</b> Special order option	<b>6654A-J12</b> Special order option	<b>6655A-J05</b> Special order option	<b>6653A-J10</b> Special order option
<b>Average programming resolution</b>					
Voltage	17.5 mV	15 mV	20 mV	37.5 mV	39.5 mV
Current	1.9 mA	2.75 mA	1.7 mA	8 mA	8 mA
OVP	110 mV	93 mV	130 mV	240 mV	250 mV
<b>OVP accuracy</b>	1.4 V	1.2 V	1.6 V	3 V	3.3 V

## Supplemental characteristics for all model numbers

**DC floating voltage:** Output terminals can be floated up to  $\pm 240$  VDC from chassis ground

**Remote sensing:** Up to half the rated output voltage can be dropped in each load lead. The drop in the load leads subtracts from the voltage available for the load.

**Command processing time:** Average time required for the output voltage to begin to change following receipt of digital data is 20 ms for the power supplies connected directly to the GPIB

**Output programming response time:** The rise and fall time (10/90% and 90/10%) of the output voltage is less than 15 ms. The output voltage change settles within 1 LSB (0.025% x rated voltage) of final value in less than 60 ms.

**Down programming:** An active down programmer sinks approximately 20% of the rated output current

**Modulation:** (Analog programming of output voltage and current)  
 Input signal: 0 to -5 V  
 Input impedance: 10 k $\Omega$  nominal

### AC input: (AC input frequency 47 to 63 Hz)

Voltage	100 VAC	120 VAC	220 VAC	240 VAC
Current	12 A	10 A	5.7 A	5.3 A

Input power: 1,380 VA, 1,100 W at full load; 120 W at no load

GPIB interface capabilities: SH1, AH1, T6, L4, SR1, RL1, PP0, DC1, DT1, E1, and C0. IEEE-488.2 and SCPI-compatible command set.

Software driver:

- IVI-COM
- VXIplug&play

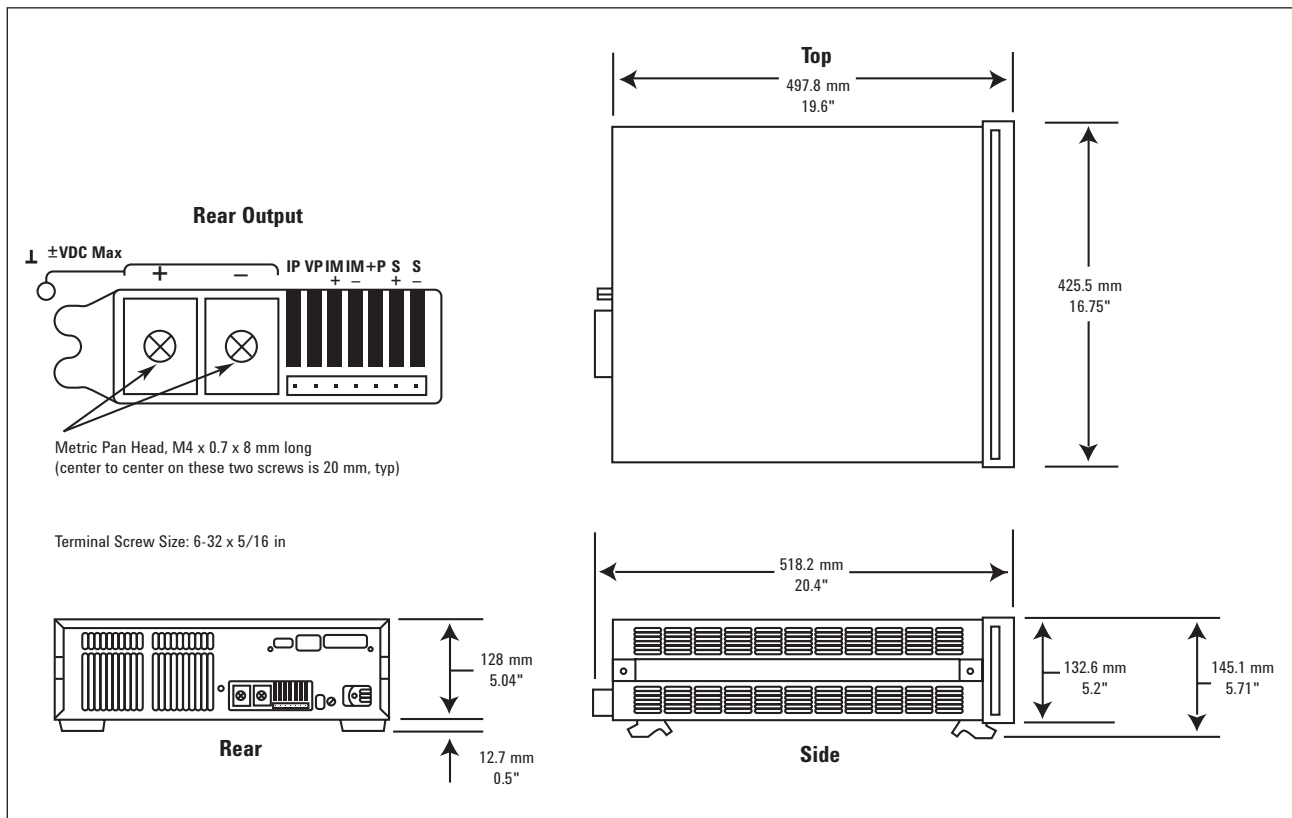
Regulatory compliance: Listed to UL 1244; conforms to IEC 61010-1.

Size: 425.5 mm W x 132.6 mm H x 497.8 mm D  
 (16.75 in x 5.22 in x 19.6 in)

Weight: Net, 25 kg (54 lb); shipping, 28 kg (61 lb)

Warranty: One year

Keysight Models: 6651A, 6652A, 6653A, 6654A, 6655A



## Ordering information

Opt 100 87 to 106 VAC, 47 to 63 Hz

Opt 120 104 to 127 VAC, 47 to 63 Hz

Opt 220 191 to 233 VAC, 47 to 63 Hz

Opt 240 209 to 250 VAC, 47 to 66 Hz

Opt 0L1 Full documentation on CD-ROM and printed user's and programming guides. CD-ROM includes User's Guide, Programming Guide, Service Manual, and Quick Start Guide

Opt 0B3 Printed service manual

## Accessories

1CM003A\* Rack mount flange kit 132.6 mm H (3U)  
– two flange brackets

1CP002A\* Rack mount flange and handle kit  
132.6 mm H (3U) – two brackets and  
front handles

E3663AC\* Support rails for Keysight rack cabinets

p/n 1494-0059 Accessory slide kit

p/n 1252-3698 7-pin analog plug

p/n 1252-1488 4-pin digital plug

p/n 5080-2148 Serial link cable 2 m (6.6 ft)

## Application notes

*10 Practical Tips You Need to Know About Your Power Products*, 5965-8239E

*10 Hints for Using Your Power Supply to Decrease Test Time*, 5968-6359E

*Understanding Linear Power Supply Operation (AN1554)*, 5989-2291EN

*Modern Connectivity—Using USB and LAN I/O Converters (AN 1475-1)*, 5989-0123EN

*Keysight DC Power Supplies for Base Station Testing*, 5988-2386EN

\*Support rails required

**myKeysight**

**myKeysight**

[www.keysight.com/find/mykeysight](http://www.keysight.com/find/mykeysight)

A personalized view into the information most relevant to you.

**Keysight Assurance Plans**

[www.keysight.com/find/AssurancePlans](http://www.keysight.com/find/AssurancePlans)

Up to five years of protection and no budgetary surprises to ensure your instruments are operating to specification so you can rely on accurate measurements.

[www.keysight.com/quality](http://www.keysight.com/quality)

Keysight Technologies, Inc.

DEKRA Certified ISO 9001:2008

Quality Management System

**Keysight Channel Partners**

[www.keysight.com/find/channelpartners](http://www.keysight.com/find/channelpartners)

Get the best of both worlds: Keysight's measurement expertise and product breadth, combined with channel partner convenience.

[www.keysight.com/find/6650](http://www.keysight.com/find/6650)

For more information on Keysight Technologies' products, applications or services, please contact your local Keysight office. The complete list is available at: [www.keysight.com/find/contactus](http://www.keysight.com/find/contactus)

**Americas**

Canada	(877) 894 4414
Brazil	55 11 3351 7010
Mexico	001 800 254 2440
United States	(800) 829 4444

**Asia Pacific**

Australia	1 800 629 485
China	800 810 0189
Hong Kong	800 938 693
India	1 800 112 929
Japan	0120 (421) 345
Korea	080 769 0800
Malaysia	1 800 888 848
Singapore	1 800 375 8100
Taiwan	0800 047 866
Other AP Countries	(65) 6375 8100

**Europe & Middle East**

Austria	0800 001122
Belgium	0800 58580
Finland	0800 523252
France	0805 980333
Germany	0800 6270999
Ireland	1800 832700
Israel	1 809 343051
Italy	800 599100
Luxembourg	+32 800 58580
Netherlands	0800 0233200
Russia	8800 5009286
Spain	0800 000154
Sweden	0200 882255
Switzerland	0800 805353
	Opt. 1 (DE)
	Opt. 2 (FR)
	Opt. 3 (IT)
United Kingdom	0800 0260637

For other unlisted countries:  
[www.keysight.com/find/contactus](http://www.keysight.com/find/contactus)  
(BP-06-23-14)

