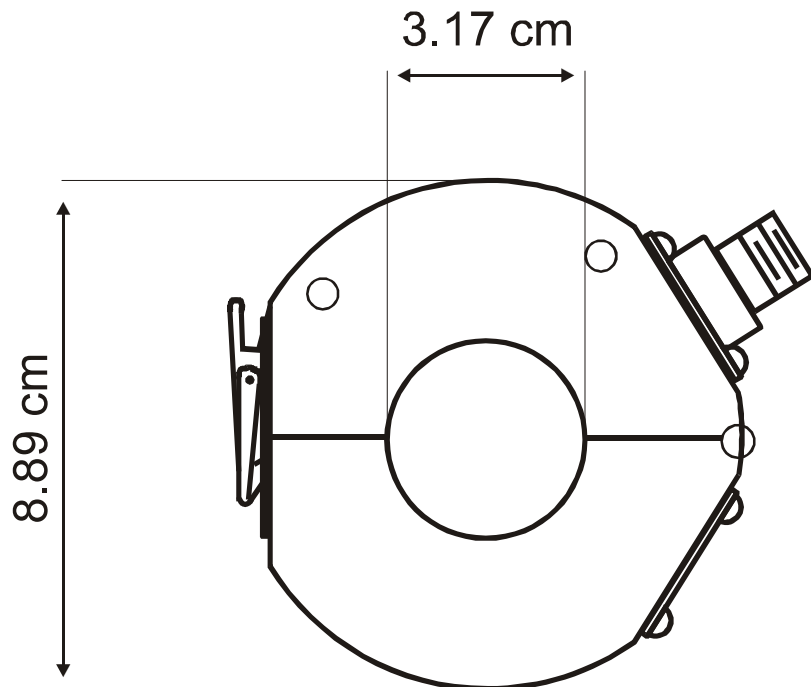


SPECIFICATIONS

PHYSICAL

Window Diameter	3.17 cm 1.25 in
Outside Diameter	8.89 cm 3.5 in
Width	7.29 cm 2.87 in
Output Connector	Type N
Impedance	50 Ω
Weight	0.6 kg 1.31 lb



SERIES SPECIFIC ELECTRICAL SPECIFICATIONS

Electrical Specifications	91550-1	91550-2	91550-5
Frequency Range (L Models 20 Hz)	10 kHz to 100 MHz	10 kHz to 150 MHz	10 kHz to 200 MHz
Transfer Impedance	5.0 ohms \pm 3dB 1MHz-100MHz	1.0 ohm \pm 2dB 1MHz-150MHz	1.0 ohm \pm 2dB 1MHz-100MHz
RF Current Range (RF CW)	42 Amps	2.8 Amps	2.3 Amps
RF Current Range (Pulse)	100 Amps	100 Amps	100 Amps
Maximum Power Current (DC-60 Hz)	350 Amps	350 Amps	350 Amps
Maximum Power Current (400 Hz)	350 Amps, 50-1500 Hz	225 Amps	225 Amps
Maximum Power Voltage	No limitation, subject to adequate conductor insulation	No limitation, subject to adequate conductor insulation	No limitation, subject to adequate conductor insulation
Internal Loading	No	Yes	No
Rated Output Load Impedance	50 ohms	50 ohms	50 ohms
Sensitivity Under Rated Load	0.17 microamperes with one microvolt sensitivity receiver and 6 ohms transfer impedance	1.0 microamperes with one microvolt sensitivity receiver and 1 ohm transfer impedance – or 10 mV across 50 ohms load for 0.01 amp signal	1.0 microamperes with one microvolt sensitivity receiver and 1 ohm transfer impedance – or 10 mV across 50 ohm load for 0.01 amp signal

Note—At the lower frequencies, the signal current I_p level can be as great as allowed for maximum power current. When both signal and power currents are high, their sums should not exceed the limits given.

PULSE POWER LIMITS

Electrical Specifications	91550-1	91550-2	91550-5
RF Current Range (Pulse)	100 Amps	Pulse signals with peak currents to 100 Amps can be measured if the pulse duty cycle does not exceed: (10 I_p Amps) 0.080 Duty (30 I_p Amps) 0.010 Duty (50 I_p Amps) 0.003 Duty (100 I_p Amps) 0.001 Duty	100 Amps with maximum pulse duty cycle not to exceed 0.002 for 100 Amp signal.
Maximum Power Current (L Models Only)	(2 MHz) 50 Amps (1 MHz) 60 Amps (0.5 MHz) 85 Amps (0.2 MHz) 175 Amps (0.1 MHz) 340 Amps (0.05 MHz) 650 Amps	(60 Hz) 650 Amps (120 Hz) 650 Amps (400 Hz) 500 Amps (1500 Hz) 140 Amps See Note 1.	No data available at time of printing

Note—L version current probes are calibrated down to 20 Hz