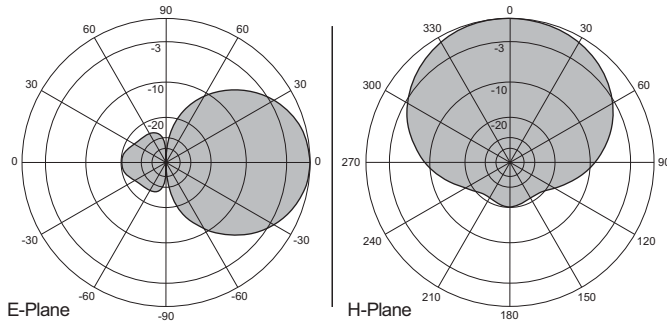


2000-1812-R Frequency Range (MHz)	Gain (dBi)	VSWR (max)	Length (cm)	Width (cm)	Weight (kg)	Number of Elements	Connector Type
450 to 512	7.1	1.5:1	43.2	33	0.5	3	N(f)



2000-1825-R Frequency Range (MHz)	Gain (dBi)	VSWR (max)	Length (cm)	Width (cm)	Weight (kg)	Number of Elements	Connector Type
380 to 430	7.1	1.5:1	52.8	34.9	0.68	3	N(f)

