

Microwave Multiplexer Module

Agilent 44476A

- Switching signals from DC to 18 GHz
- Triple 1-to-2 microwave multiplexers

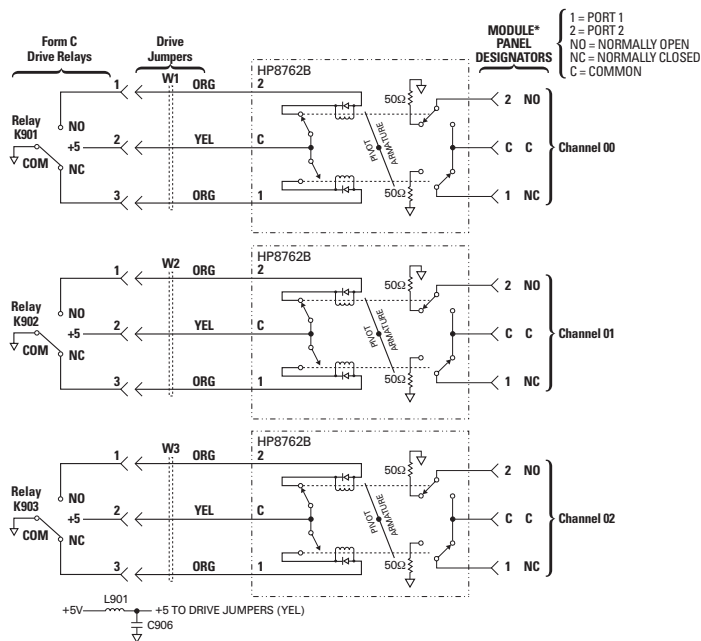
The 44476A includes three independent SPDT 50 Ω coaxial relays with excellent electrical performance from DC to 18 GHz. For general-purpose

Specifications

Input Characteristics	
Frequency Range:	DC to 18 GHz
Characteristic Impedance:	50 Ω
Input Power Rating: (Also less than ± 7 VDC)	1 W average 100 W peak
Repeatability (after 10 ⁶ operation):	0.03 dB
Connector:	SMA

AC Isolation / Performance

Isolation:	DC-18 GHz	>90 dB
Insertion Loss:	DC-2 GHz	<0.25 dB
	DC-18 GHz	<0.50 dB
VSWR (3 mm SMA):	DC-2 GHz	<1.15 dB
	DC-18.0 GHz	<1.25 dB
	DC-18.0 GHz	<1.40 dB



* NOTE: Terminal designations inside the dashed boxes refer to the HP8762B only. Module panel designators outside the dashed boxes are those silkscreened on the HP44476A panel. Any reference in this manual to a port refers to the module panel designators.

switching applications, the module can be used to switch separate signal sources for a multi-band receiver/transmitter testing application. The 3 mm SMA connector on the module edge simplifies wiring.

Microwave Relay Driver Module

Agilent 44476B

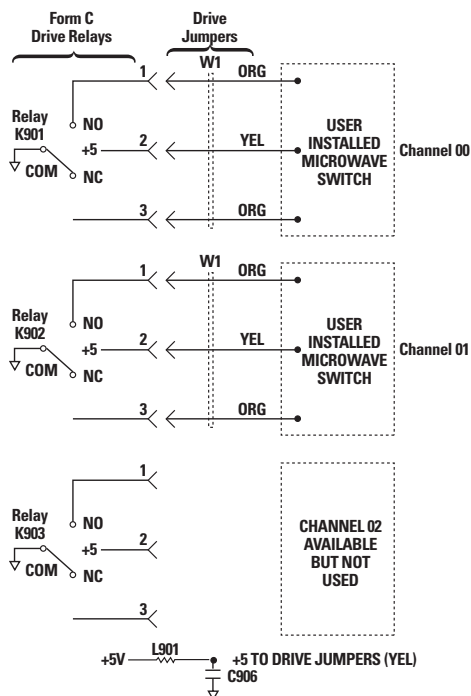
- Supporting varieties of microwave coaxial relays
- Two set mounting holes for coaxial relays

when using with this module. The coaxial switches that can be used are listed below. Option 011 designates the switches for a coil voltage of 5 VDC.

Agilent Technologies

Coaxial Switch	Port	Frequency
8762A/Option 011	3	DC to 4 GHz
8762B/Option 011	3	DC to 18 GHz
8762C/Option 011	3	DC to 26.5 GHz
8762F/Option 011	3	DC to 4 GHz
8763B/Option 011	4	DC to 18 GHz
8763C/Option 011	4	DC to 26.5 GHz
8764B/Option 011	5	DC to 18 GHz
8764C/Option 011	5	DC to 26.5 GHz

Note: For details of Agilent 876XX specifications, please refer to publication number 5968-4314.



The 44476B brings multi-port 50/75 Ω coaxial switching flexibility to your test system. It has two set mounting panels, so any two Agilent 876XX coaxial switches can be mounted.

The coaxial switches come in three-, four-, and five-port configurations. This flexibility allows you to use the different switches for a variety of applications, constructing transfer switches, switch matrices and more. Using the 876XX in conjunction with the 44476B allows you to extend your automated three-port switching to 26.5 GHz. Coaxial relays must be ordered separately